

COMMERCIAL CEMENT PLASTER 1™



Fiberglass Reinforced Portland Cement Plaster
Applied to Concrete or CMU

Commercial Cement Plaster 1 Installation Details

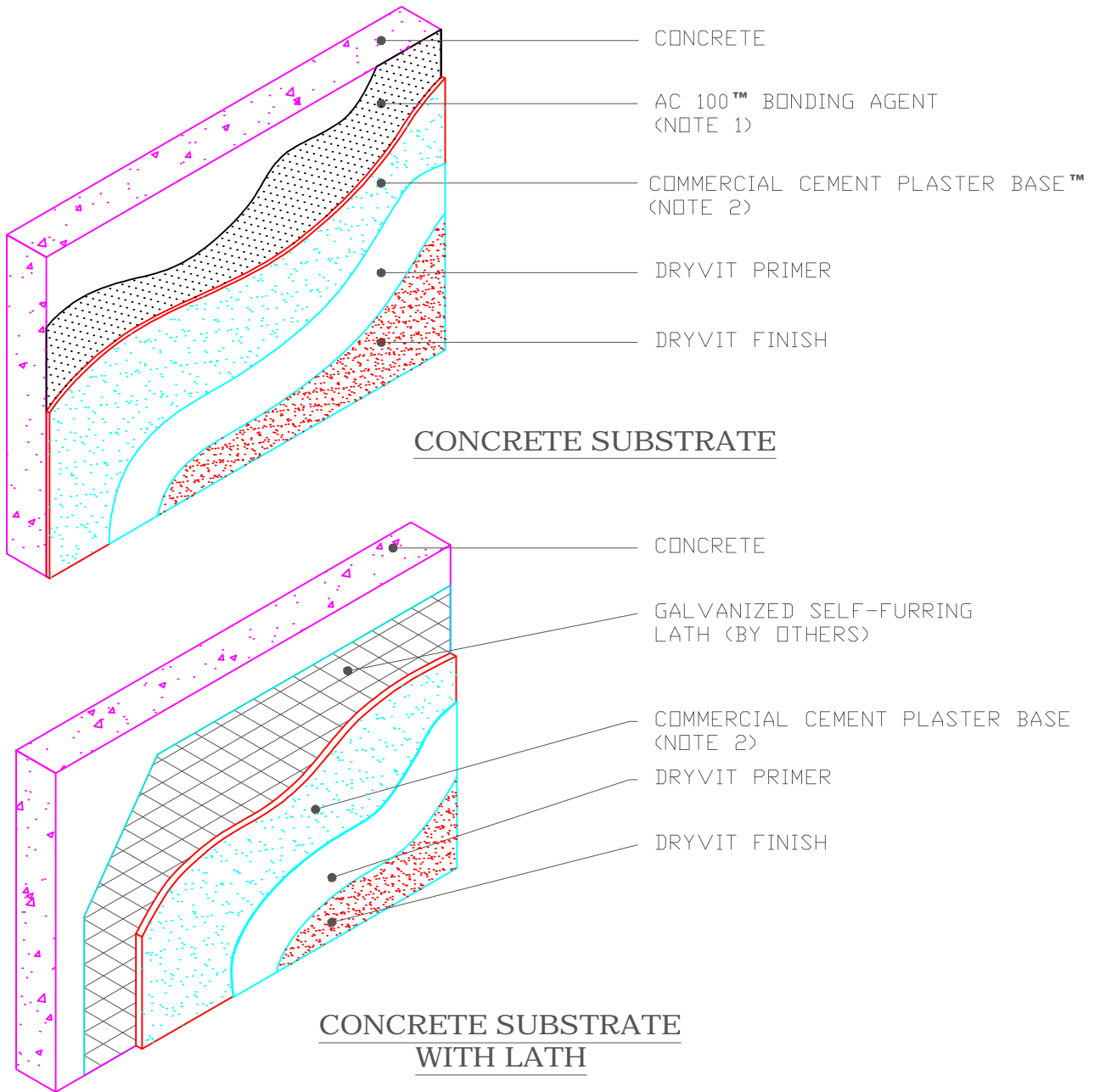
TABLE OF CONTENTS

DETAIL	PAGE	NOTE
Concrete Substrates	CCP-1 0.0.01	<p>DRYVIT MAKES NO REPRESENTATION REGARDING CONFORMITY OF ITS SUGGESTIONS TO MODEL BUILDING CODES, ENGINEERING CRITERIA, SPECIFIC APPLICATIONS OR PROJECT LOCATIONS. ALL COMPONENTS INDICATED IN ILLUSTRATIONS, AS WELL AS OTHERS THAT MAY BE REQUIRED FOR THE INTEGRITY OF THE SYSTEM SHALL BE DESIGNED, DETAILED AND ENGINEERED BY REPRESENTATIVES OF THE ARCHITECT, OWNER OR CONTRACTOR TO BE IN CONFORMANCE WITH MODEL CODES, ARCHITECTURAL AND ENGINEERING REQUIREMENTS PERTAINING TO SPECIFIC BUILDING PROJECTS.</p> <p>DRYVIT MAKES NO WARRANTY, EXPRESSED OR IMPLIED, AS TO THE ARCHITECTURAL DESIGN, ENGINEERING, OR WORKMANSHIP OF PROJECTS UTILIZING DRYVIT SYSTEMS OR PRODUCTS.</p> <p>THE LIABILITIES OF DRYVIT SHALL BE AS STATED IN THE DRYVIT STANDARD WARRANTY. CONTACT DRYVIT FOR A FULL AND COMPLETE COPY OF THIS WARRANTY.</p>
CMU Substrates	CCP-1 0.0.02	
Metal Lath with Backstop® NT Option	CCP-1 0.0.03	
Opening Preparation-Backstop NT/ AquaFlash® System Option	CCP-1 0.0.04	

Commercial Cement Plaster 1™

The architecture, engineering, and design of the project using the Dryvit products is the responsibility of the project's design professional. All systems must comply with local building codes and standards. This detail is for general information and guidance only and Dryvit specifically disclaims any liability for the use of this detail and for the architecture, design, engineering or workmanship of any project. The project design professional determines, in its sole discretion, whether this detail or a functionally equivalent detail is best suited for the project. Use of a functionally equivalent detail does not violate Dryvit's warranty. This detail is subject to change without notice. Contact Dryvit to ensure you have the most recent version.





Commercial Cement Plaster 1™

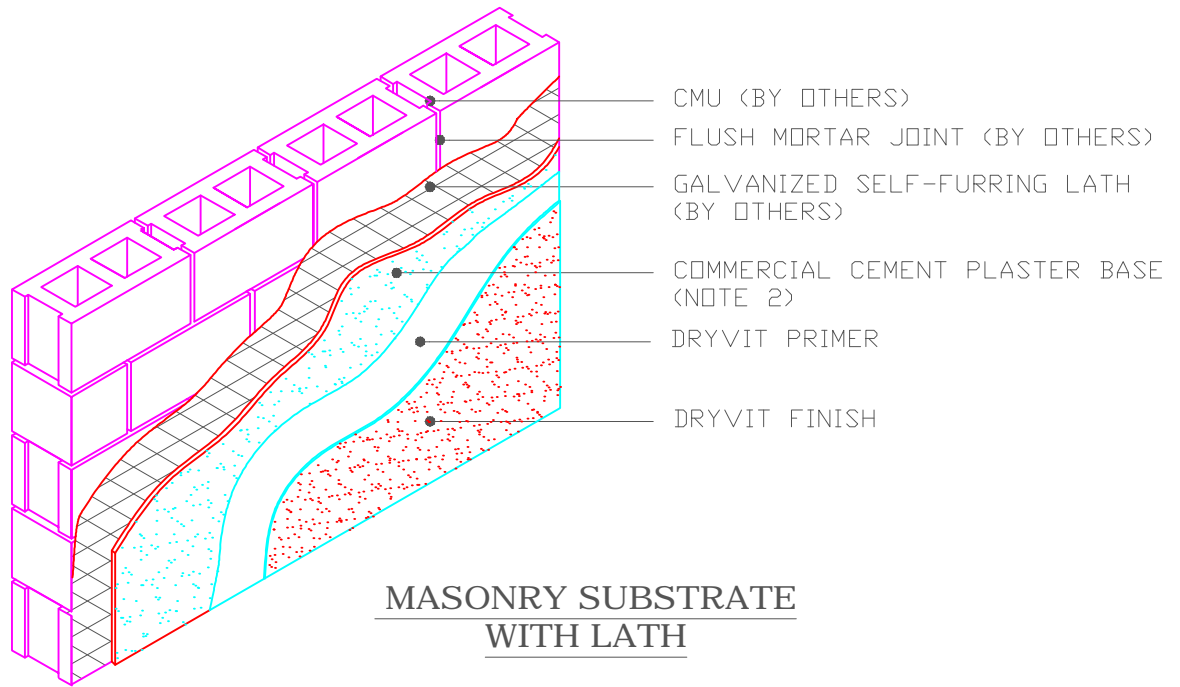
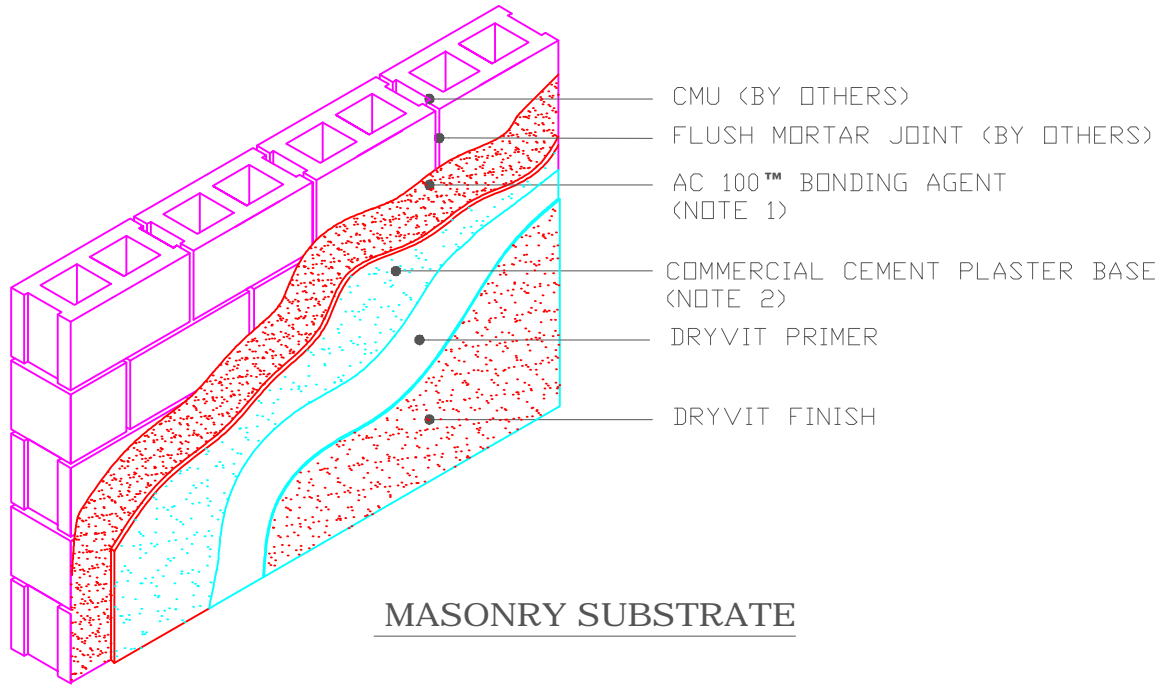
Concrete Substrates

NOTE:

1. WHEN SPECIFIED.
2. OTHER APPROVED SCRATCH AND BROWN COATS MAY BE ACCEPTABLE. CONSULT DRYVIT SYSTEMS, INC. FOR SPECIFICS.

The architecture, engineering, and design of the project using the Dryvit products is the responsibility of the project's design professional. All systems must comply with local building codes and standards. This detail is for general information and guidance only and Dryvit specifically disclaims any liability for the use of this detail and for the architecture, design, engineering or workmanship of any project. The project design professional determines, in its sole discretion, whether this detail or a functionally equivalent detail is best suited for the project. Use of a functionally equivalent detail does not violate Dryvit's warranty. This detail is subject to change without notice. Contact Dryvit to ensure you have the most recent version.





Commercial Cement Plaster 1™

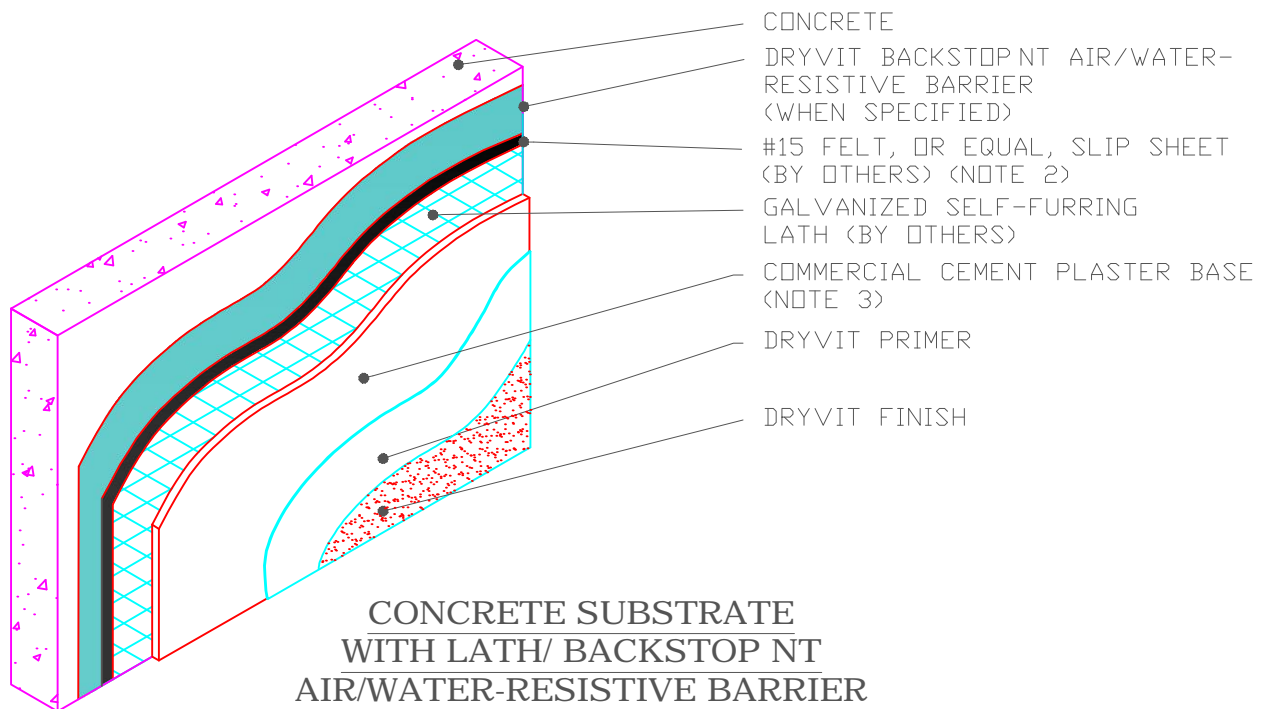
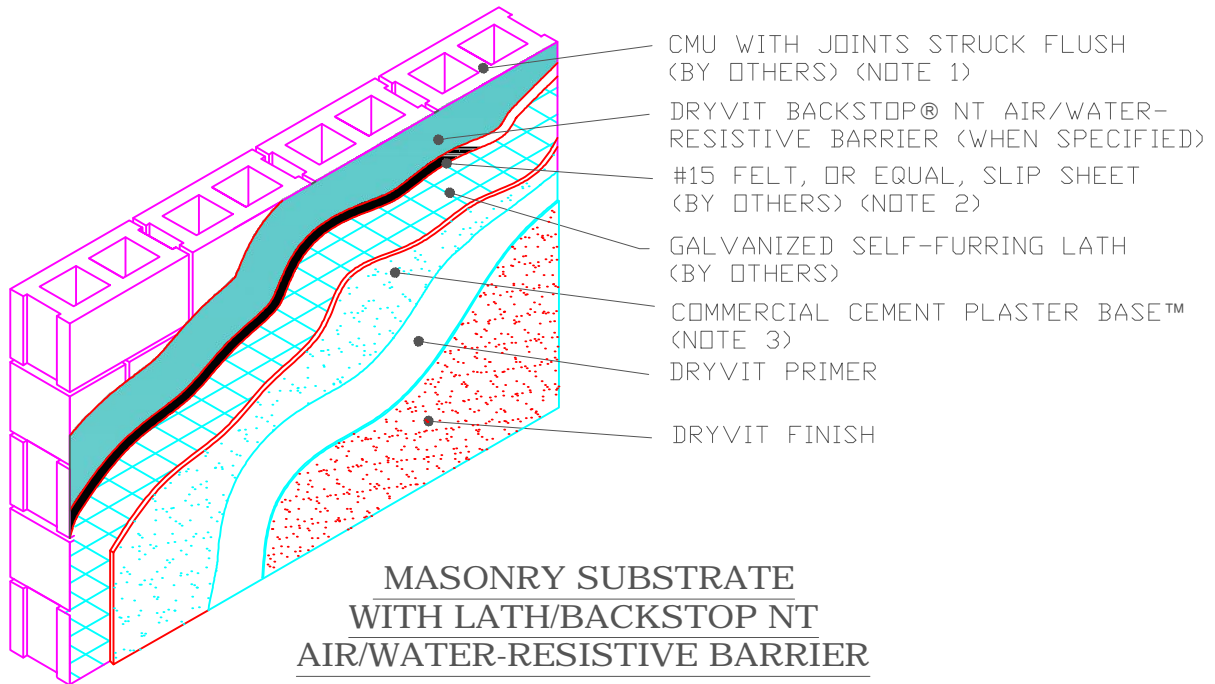
CMU Substrates

NOTE:

1. WHEN SPECIFIED.
2. OTHER APPROVED SCRATCH AND BROWN COATS MAY BE ACCEPTABLE. CONSULT DRYVIT SYSTEMS, INC. FOR SPECIFICS.

The architecture, engineering, and design of the project using the Dryvit products is the responsibility of the project's design professional. All systems must comply with local building codes and standards. This detail is for general information and guidance only and Dryvit specifically disclaims any liability for the use of this detail and for the architecture, design, engineering or workmanship of any project. The project design professional determines, in its sole discretion, whether this detail or a functionally equivalent detail is best suited for the project. Use of a functionally equivalent detail does not violate Dryvit's warranty. This detail is subject to change without notice. Contact Dryvit to ensure you have the most recent version.





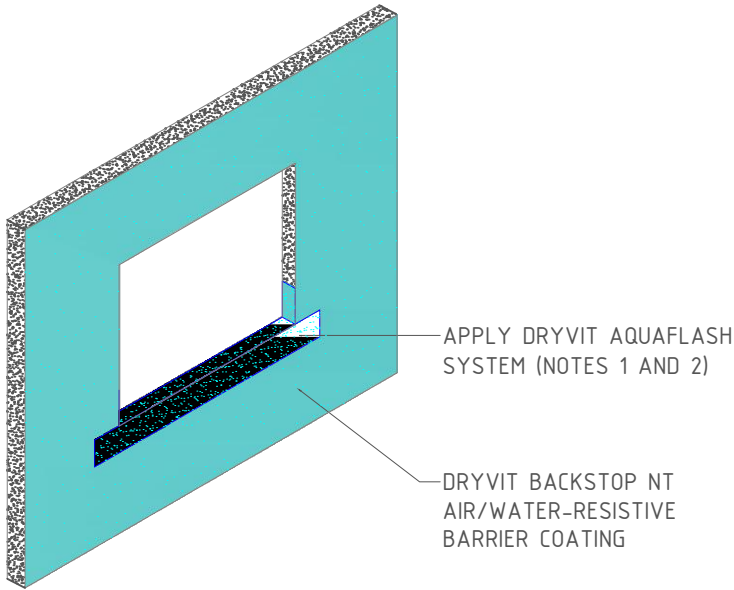
Commercial Cement Plaster 1™ Metal Lath with Backstop NT Option

NOTE:

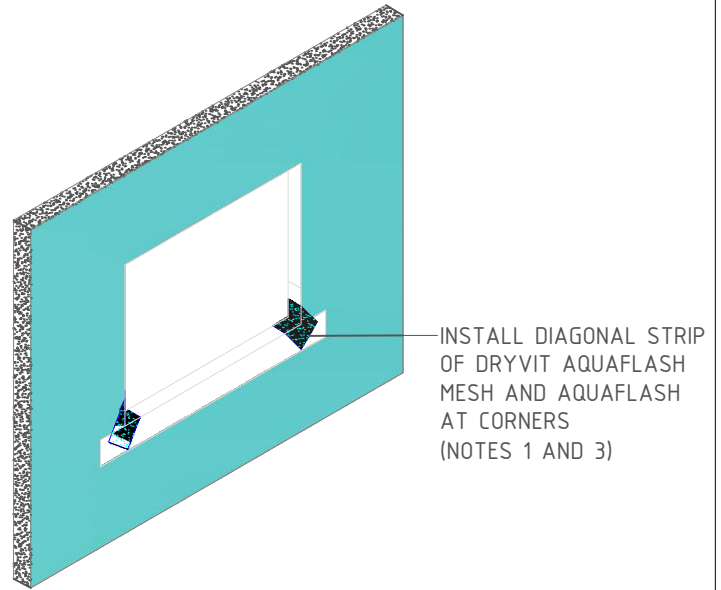
1. SKIM COAT WITH DRYVIT GENESIS REQUIRED OVER ROUGH OR UNEVEN SUBSTRATES.
2. A SLIP SHEET IS REQUIRED WHEN USING DRYVIT BACKSTOP NT.
3. OTHER APPROVED SCRATCH AND BROWN COATS MAY BE ACCEPTABLE. CONSULT DRYVIT SYSTEMS, INC. FOR SPECIFICS.

The architecture, engineering, and design of the project using the Dryvit products is the responsibility of the project's design professional. All systems must comply with local building codes and standards. This detail is for general information and guidance only and Dryvit specifically disclaims any liability for the use of this detail and for the architecture, design, engineering or workmanship of any project. The project design professional determines, in its sole discretion, whether this detail or a functionally equivalent detail is best suited for the project. Use of a functionally equivalent detail does not violate Dryvit's warranty. This detail is subject to change without notice. Contact Dryvit to ensure you have the most recent version.

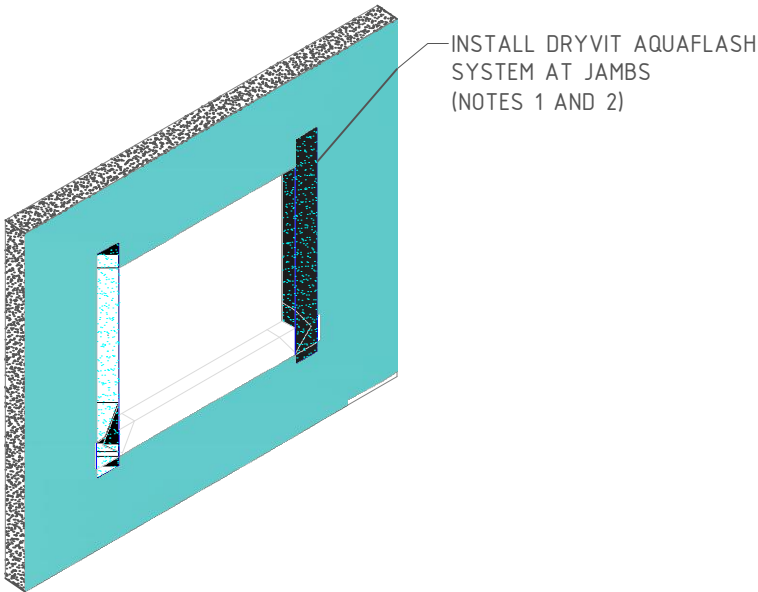




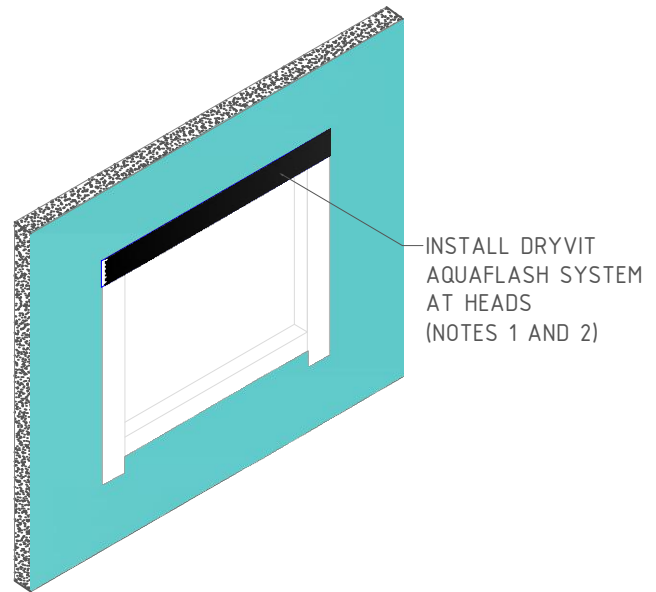
STEP #1



STEP #2



STEP #3



STEP #4

Commercial Cement Plaster 1™ Opening Preparation-Backstop® NT/AquaFlash® System

NOTE:

1. DRYVIT AQUAFLASH SHALL EXTEND TO INTERIOR FACE OF OPENING.
2. INSTALL WINDOW UNIT AND ASSOCIATED FLASHINGS PER MANUFACTURER'S RECOMMENDATIONS, CODE REQUIREMENTS AND PROJECT DOCUMENTS.

The architecture, engineering, and design of the project using the Dryvit products is the responsibility of the project's design professional. All systems must comply with local building codes and standards. This detail is for general information and guidance only and Dryvit specifically disclaims any liability for the use of this detail and for the architecture, design, engineering or workmanship of any project. The project design professional determines, in its sole discretion, whether this detail or a functionally equivalent detail is best suited for the project. Use of a functionally equivalent detail does not violate Dryvit's warranty. This detail is subject to change without notice. Contact Dryvit to ensure you have the most recent version.

